

SRM INSTALLATION GUIDE

1. CONNECTION :

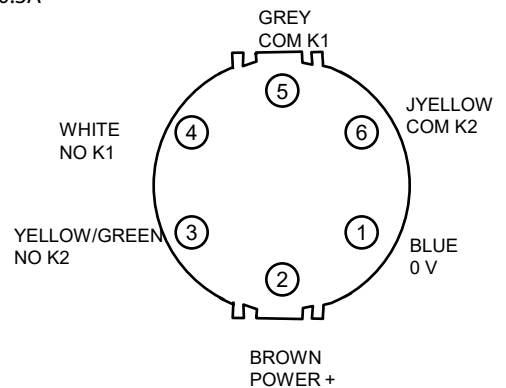
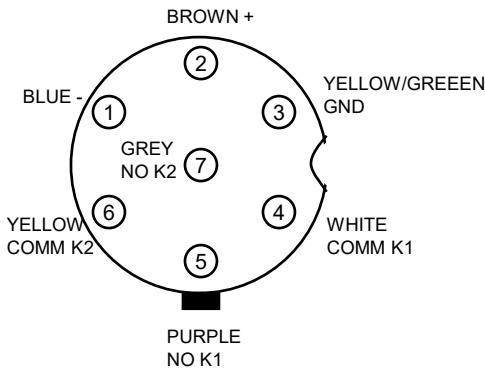
CAUTION: positive security - contact given for powered radar

EU: 220 V		
Symbol	Color	Function
	Yellow/green	GND
~	Blue	POWER (neutral)
~	Brown	ALIM
	Purple	NO 1
	White	COM 1
	Grey	NO 2
	yellow	COM 2

USER'S OUTPUTS

Resistive load : 110 VAC 0.3A - 24 VDC 0.3A

Inductive load : 110 VAC 0.2A - 24 VDC 0.3A



2. REMARK :

Please disconnect the radar from power before maintenance intervention.

3. SETTINGS :

Sensitivity setting :

The setting is made with the help of a potentiometer placed on the front of the radar. You can access it without dismantling the radar. The sensitivity is at the lowest level when the potentiometer is turned anticlockwise completely. It is at the highest level when the potentiometer is turned clockwise completely. The factory setting is convenient for the majority of the installations. If the detection area does not fit your requirements, please first try to change the position of the radar (vertical angle and/or height of installation). Change the sensitivity setting only in case of absolute necessity.

Speed thresholds setting :

The speed threshold for the relay 1 is set by the position of the dipswitch 4 (fig. 2). The speed threshold for the relay 2 is set by the position of the dipswitches 1, 2 and 3.

Validation distance setting :

The validation distance (length needed to validate the detection of a vehicle – it plays a role on the sensitivity) is set by the position of the dipswitch 5 (fig. 2).

Direction detection setting :

The direction detection is set by the position of the dipswitch 6 (fig. 2).

To set the different parameters, place the dipswitch levers according to your choice, as shown on fig. 4.

Don't forget to place the protection sticker on the radar's front face (fig. 3)!!!



Fig. 2 : settings

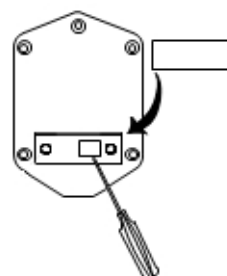
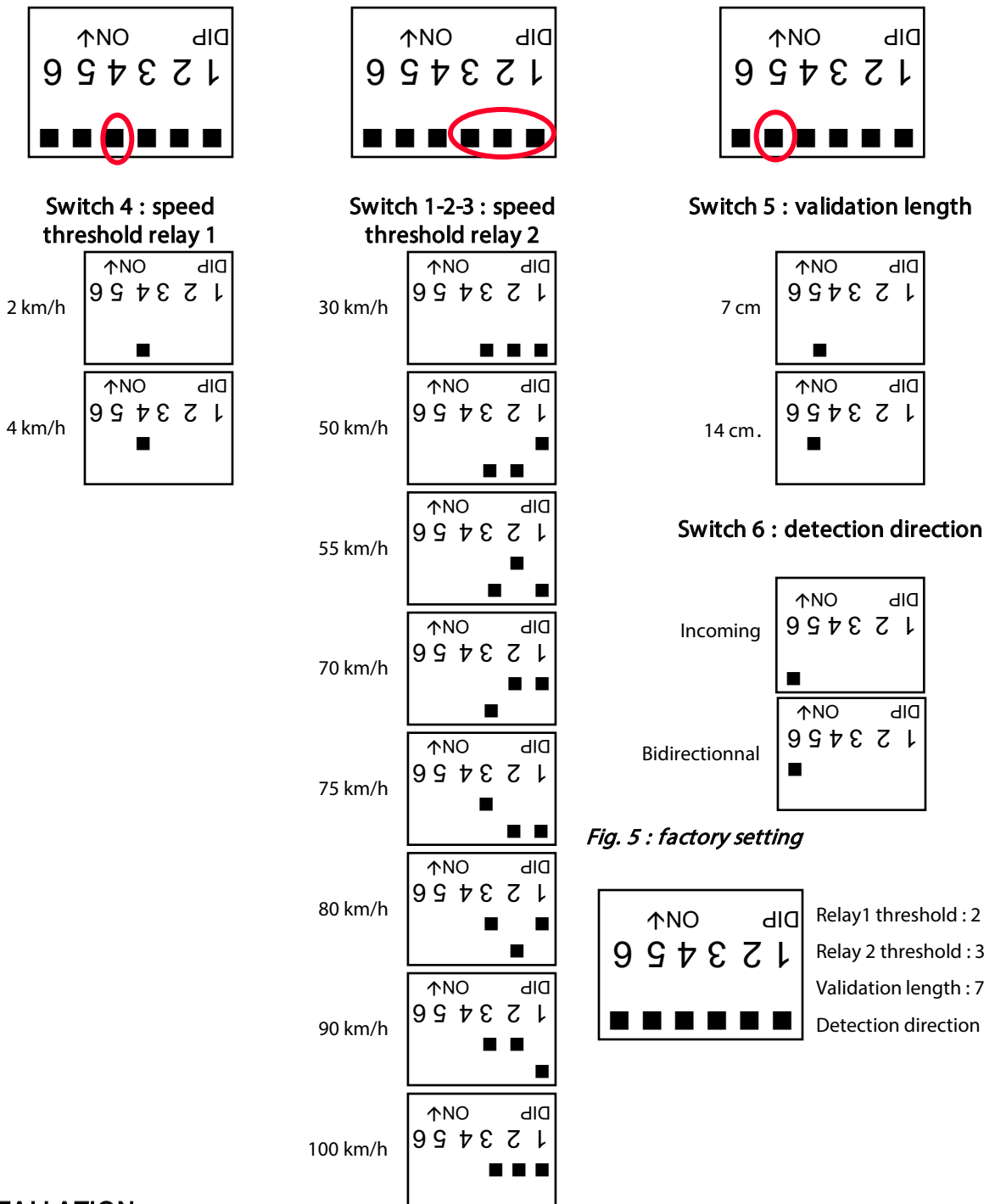


Fig. 3 : front face

Fig. 4 : dipswitch levers position according to settings



4. INSTALLATION :

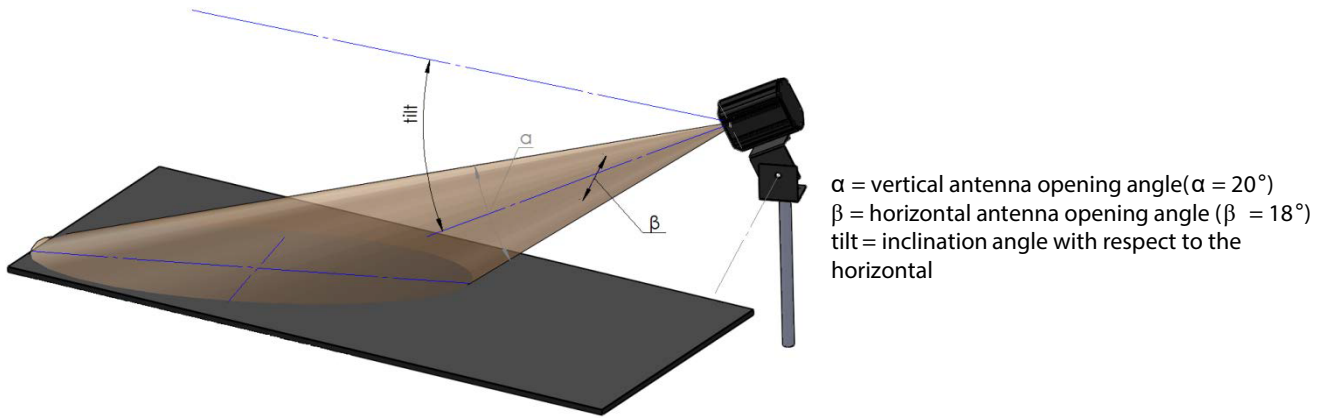


The housing shape is designed to make the radar placement easier, as well on the horizontal plan as on the vertical one. Once the radar screwed on its bracket, use the line of sight to point the middle of the detection area (see fig. 6).

Fig. 6 : lline of sight

SRM LACROIX Sogexi V2.1 En

If $h \leq 5$ m, tilt $> 88^\circ$ or if $h > 5$ m, tilt $\leq 88^\circ$. Please contact your distributor for further information.



α = vertical antenna opening angle ($\alpha = 20^\circ$)
 β = horizontal antenna opening angle ($\beta = 18^\circ$)
 tilt = inclination angle with respect to the horizontal

Fig. 6 : detection lobe

Once the settings are done, don't forget to place the protection sticker on the radar's front face (fig. 3).
WARNING: the warranty does not cover the radars without protection sticker!!!

Detection pattern :

We have calculated some detections patterns surfaces, based on common installation parameters (fig. 7). Please note that these values result from theoretic calculations and do not take in account environmental factors. These values are given for the sensitivity factory setting (see fig. 2).

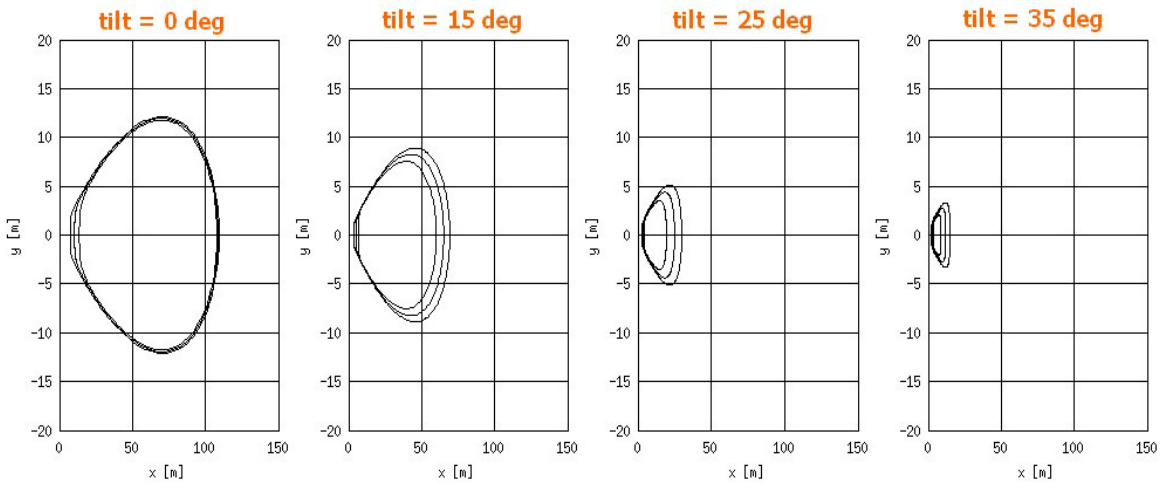


Fig. 7 : Dimensions of the lobe following the installation parameters

5. TECHNICAL CHARACTERISTICS :

	SRM EU	
Protection level		
Power supply	220 VAC \pm 10 % - 50 Hz	
Power consumption	1.5 VA	
Detected object min. speed	According to chosen speed threshold	
User output	2 NO inverted relay contacts (powered radar) Resistive load: 110 VAC 0.3 A - 24 VDC 0.3 A Inductive load: 110 VAC 0.2 A - 24 VDC 0.3 A Visible led on front face	
Relay hold time	1 sec.	
Temperature range	from -40° C to $+75^\circ$ C	
Dimensions	L70 x H100 x P180 mm	
Weight	950 gr	

Issue n°	Author	Comment
V02.01	Cba	30/05/12 : 1st issue/archived
V02.02	Cba	22/11/12 : alim 220 + schémas lobe
V02.03	Cba	08/07/14 : install/visée - Ajout LV
V2.1	CBA	22/12/15 : 10-60 VDC => 12-60 VDC - tension +/- 10% => +/- 5 %