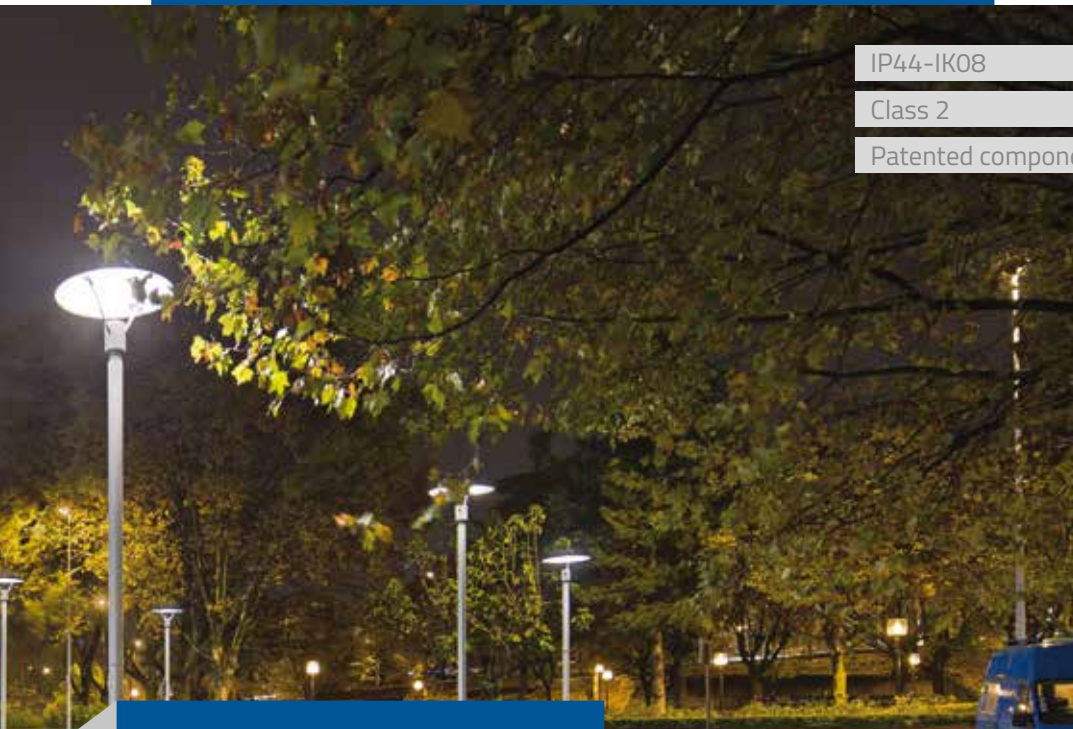




JUNCTION BOXES

Lotipak



IP44-IK08

Class 2

Patented components



Lamppost base junction box for posts with very small cross-sections.

Lotipak can connect up to 2 x 10 mm² network cables and 1 lighting fixture cable.

Open sides and stiffened back to facilitate connection.

Cover features an integral protective cone to allow power cables to be inserted through the front.

Lamp output via the bottom, with cable guidance housing through the back of the box.

Cover with gripping notches secured by 2 captive stainless steel screws.

Mounted onto bar (fixed mounting lug) or vertical rail using M6 screw.

ADVANTAGES

Very compact.

Extractable terminal block, height adjustable, with screw fastening.

TECHNICAL CHARACTERISTICS

Max. capacity

- Up to 2 x 5G10 mm² network cables (max. Ø 18 mm).
- Up to 1 x 3G2.5 mm² lighting fixture cable (max. Ø 12.5 mm).

Casing

- Polycarbonate, self-extinguishing.
- IP44 in accordance with IEC 60529 (open junction box: IP2X).
- IK08 in accordance with EN 62262.
- Class 2 (can also be supplied with insulated earth terminal).
- -40°C to +130°C.

Product standards

- EN 61439-2.

Installation standards

- NF C17-200 and associated guides.

Standard colour:

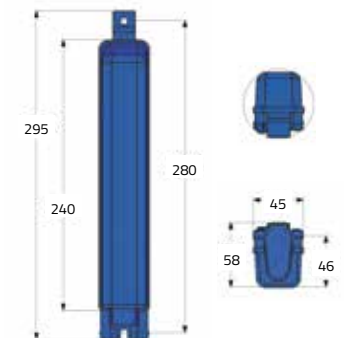
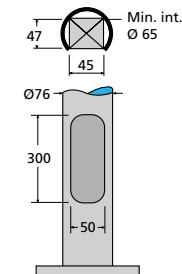
- Please contact us for other colours.

Optional:

- Additional 5-point mounting lug.

Delivery:

- Pre-wired with high-temperature silicone-coated wires and crimped lugs.
- Supplied with cartridge fuses and configuration labels.



LIGHTING FIXTURE OUTPUT CABLES

Via the bottom of the box only.



Main configurations

	Standard	Options	
		TET	Cable glands
Via the BOTTOM	1 cable	-	-
Via the TOP	-	-	-

CONNECTION - Integrated terminal blocks



BE2 terminal block
2 to 4 x 2 inputs, 10 mm²
W 37 mm

Main max. configurations

	≤ 6 mm ²	≤ 10 mm ²
2 network cables	4BE2 terminal block max	4BE2 terminal block max
3 network cables	-	-

Usable width of the connection zone: 37 mm.



PROTECTIONS & DEVICES - Max. volume available (mm): W 30 x D 41 x H 80



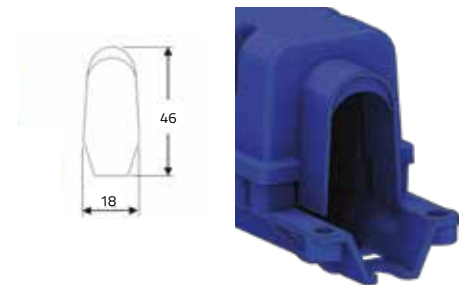
FPN
W 18 mm

Max. recommended combinations

FPN	W 18 mm	∅	ID	PFM	IDIL	ST2
		W 36 mm	W 18 mm	W 28 mm	W 28 mm	W 28 mm
		1FPN	-	-	-	-

Usable width of the protection zone: 30 mm.

NETWORK CABLES



Main max. configurations

	4x 6 mm ²	5G 6 mm ²	4x 10 mm ²	5G 10 mm ²	Lighting fixture cables
2 cables	●	●*	●	-	1
2 cables	-	-	-	-	2

* Limit configurations: tight wiring.