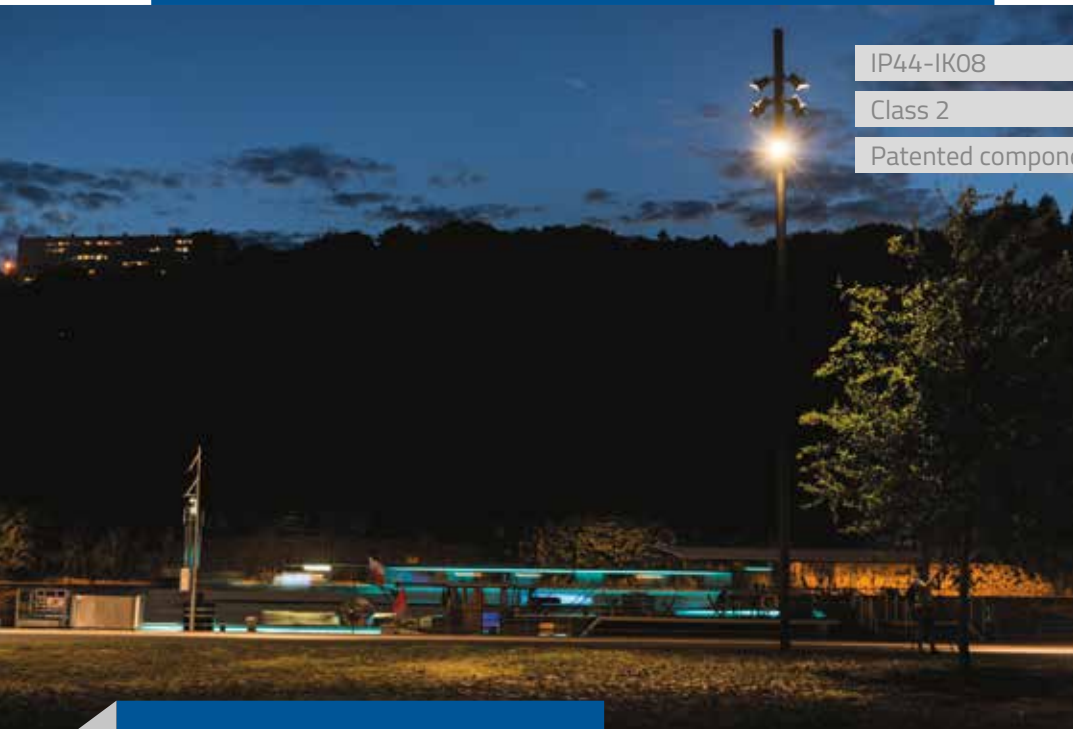




JUNCTION BOXES

Europak



IP44-IK08

Class 2

Patented components



Very large capacity (2 RCD Residual Current Circuit Breakers) in posts with a min. inner diameter of 125 mm.

Europak can hold up to 3 x 35 mm² network cables and 4 lighting fixture cables.

Wiring is very quick and easy, thanks to the wide base and open sides.

Additional intermediate zone, for extra protections, devices or terminals (dual-network).

Two independent covers for easy opening even when the box is offset from the door.

Low cover for accessing terminals or protection during maintenance operations.

ADVANTAGES

Terminal block support can be removed tool-free and adjusted over 100 mm via a rack system, for easy connection and quick maintenance on site.

Top cover with transparent window for visual inspection and access to protections.

Locking by ¼ turn captive screw.

Tool-free mounting with adjustable lugs over 120 mm or with M6 screw.

TECHNICAL CHARACTERISTICS

Max. capacity

- Up to 3 x 5G35 mm² network cables.
- Up to 4 x 3G2.5 mm² rigid lighting fixture cables.

Casing

- Polycarbonate, self-extinguishing.
- IP44 in accordance with IEC 60529 (open junction box: IP2X).
- IK08 in accordance with EN 62262.
- Class 2 (can also be supplied with insulated earth terminal).
- 40°C to +130°C.

Product standards

- EN 61439-2.

Installation standards

- NF C17-200 and associated guides.

Standard colour:

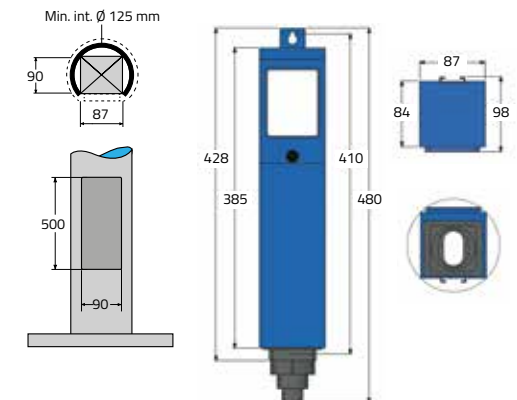
- Please contact us for other colours.

Optional:

- Terminal block: marking of the terminals to facilitate maintenance.

Delivery:

- Pre-wired with high-temperature silicone-coated wires and crimped lugs.
- Supplied with cartridge fuses, configuration labels and cable clamp.





LIGHTING FIXTURE OUTPUT CABLES

Via the bottom (standard) or top (optional).

Main configurations

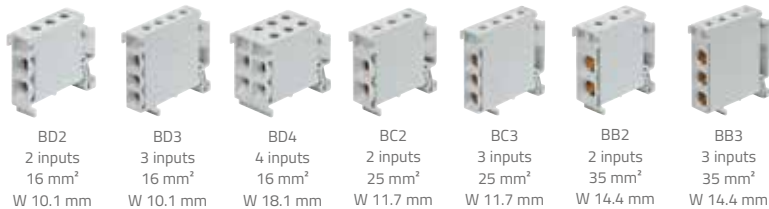
	Standard	Options	
		TET	Cable glands
Via the BOTTOM	2 cables (7 to 10 mm)	-	-
Via the TOP	1 cable (7 to 10 mm - TET 7/10)	4 cables (7 to 10 mm - 4 x TET 7/10)	4 cables (6 to 12 mm - 4 x M20)
		4 cables (10 to 14 mm - 4 x TET 10/14)	1 cable (9 to 17 mm - 1 x M25)

INTERMEDIATE ZONE - Max. combinations recommended

		∅	ID W 36 mm	PFM W 18 mm	IDIL W 28 mm	ST2 W 28 mm
∅		-	2ID	4PFM	2IDIL	2ST2
FP or FN	W 18 mm	1FP + 1FN	-	1FP + 1FN + 1PFM	-	-
FPN	W 18 mm	3FPN	1FPN + 1ID	1FPN + 1PFM	1FPN + 1IDIL	1FPN + 1ST2
F2P	W 36 mm	1F2P	-	-	-	-

Usable width of the intermediate zone: 72 mm.

CONNECTION - Integrated terminals



Terminal	Inputs	Area	Width
BD2	2 inputs	16 mm²	W 10.1 mm
BD3	3 inputs	16 mm²	W 10.1 mm
BD4	4 inputs	16 mm²	W 18.1 mm
BC2	2 inputs	25 mm²	W 11.7 mm
BC3	3 inputs	25 mm²	W 11.7 mm
BB2	2 inputs	35 mm²	W 14.4 mm
BB3	3 inputs	35 mm²	W 14.4 mm

Main max. configurations

	≤ 16 mm²	≤ 25 mm²	≤ 35 mm²
2 network cables	5 BD2 terminals max.	5 BC2 terminals max.	5 BB2 terminals max.
3 network cables	5 BD3 terminals max.	5 BC3 terminals max.	5 x BB3 terminals max.*

Usable width of the connection zone: 72 mm.



PROTECTIONS & DEVICES - Max. volume available (mm): W 73 x D 78 x H 86

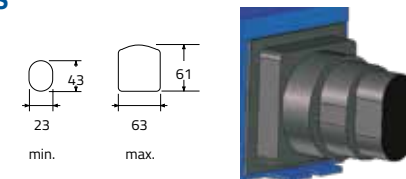


Max. recommended combinations

		∅	ID W 36 mm	PFM W 18 mm	IDIL W 28 mm	ST2 W 28 mm
FP or FN	W 18 mm	2FP + 2FN	1FP+1FN+1ID	1FP+1FN+1PFM	1FP+1FN+1IDIL	1FP+1FN+1ST2
FPN	W 18 mm	4FPN	1FPN + 1ID	1FPN + 1PFM	1FPN + 1IDIL	1FPN + 1ST2
F2P	W 36 mm	2F2P	1F2P + 1ID	-	1F2P + 1IDIL	1F2P + 1ST2
DPN	W 18 mm	4DPN	1DPN + 1ID	1DPN + 1PFM	1DPN + 1IDIL	1DPN + 1ST2
D2P	W 36 mm	2D2P	1D2P + 1ID	-	1D2P + 1IDIL	1D2P + 1ST2
DDR	W 36 mm	2DDR	1DDR + 1ID	1DDR + 1PFM	1DDR + 1IDIL	1DDR + 1ST2

Usable width of the protection zone: 73 mm.

NETWORK CABLES



Main max. configurations

	4x 16 mm²	5G 16 mm²	4x 25 mm²	5G 25 mm²	4x 35 mm²	5G 35 mm²
2 cables	●	●	●	●	●	●
3 cables	●	●	●	●	●	●

* Limit configurations: tight wiring.