



## JUNCTION BOXES

# Interpak

IP44-IK08

Class 2

Patented components



The lamppost junction box designed with 3 stages to increase enclosing capacity in posts with a minimum internal diameter of 110 mm.

Interpak can accept up to two 35 mm<sup>2</sup> network cables or three 25 mm<sup>2</sup> network cables and four lighting fixture cables.

Protective cone for frontal insertion of power cables.

Additional intermediate support, for extra functions.

Open sides and stiffened back to facilitate connection.

Two independent covers for easy opening even when the box is offset from the door.

Bottom cover clipped onto the base of the box for secure maintenance.

### ADVANTAGES

Terminal block support can be removed tool-free and adjusted over 80 mm via a rack system, for easy connection and quick maintenance on site.

Transparent top cover, to facilitate visual inspection and access to protective devices. Locking by ¼ turn captive screw.

Tool-free mounting by brackets adjustable over 120 mm, or with M6 screw.

### TECHNICAL CHARACTERISTICS

#### Max. capacity

- Up to 2 x 5G25 mm<sup>2</sup> or 4 x 35 mm<sup>2</sup> network cables.
- Up to 3 x 5G16 mm<sup>2</sup> or 4 x 25 mm<sup>2</sup> network cables.
- Up to 4 x 3G2.5 mm<sup>2</sup> rigid lighting fixture cables.

#### Casing

- Polycarbonate, self-extinguishing.
- IP44 in accordance with IEC 60529 (open junction box: IP2X).
- IK08 in accordance with EN 62262.
- Class 2 (can also be supplied with insulated earth terminal).
- -40°C to +130°C.

#### Product standards

- EN 61439-2.

#### Installation standards

- NF C17-200 and associated guides.

#### Standard colour:



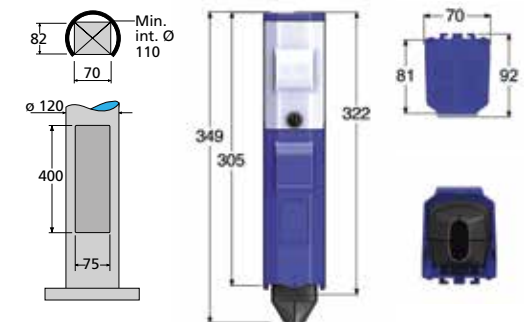
- Please contact us for other colours.

#### Optional:

- Terminal block: marking of the terminals to facilitate maintenance.

#### Delivery:

- Pre-wired with high-temperature silicone-coated wires and crimped lugs.
- Supplied with cartridge fuses, configuration labels and cable clamp.





### LIGHTING FIXTURE OUTPUT CABLES

Via the bottom (Standard) or top (Optional).

Main configurations

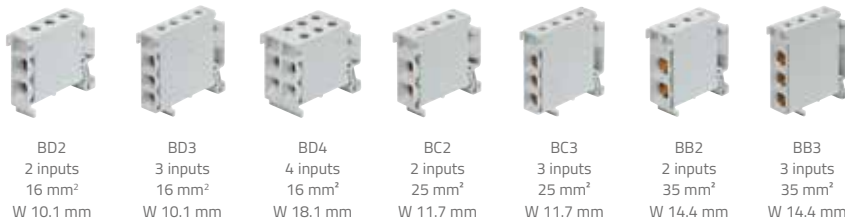
	Standard	Options	
		TET	Cable glands
Via the BOTTOM	2 cables (7 to 10 mm)	-	-
Via the TOP	-	4 cables (7 to 10 mm - 4 x TET 7/10)	4 cables (6 to 12 mm - 4 x M20)
		4 cables (10 to 14 mm - 4 x TET 10/14)	1 cable (9 to 17 mm - 1 x M25)

### INTERMEDIATE ZONE - Max. combinations recommended

		∅	ID W 36 mm	PFM W 18 mm	IDIL W 28 mm	ST2 W 28 mm
∅		-	1ID	3PFM	2IDIL	2ST2
FP or FN	W 18 mm	1FP + 1FN	-	1FP+1FN+1PFM	-	-
FPN	W 18 mm	3FPN	1FPN + 1ID	1FPN + 1PFM	1FPN + 1IDIL	1FPN + 1ST2
F2P	W 36 mm	1F2P	-	-	-	-
DPN	W 18 mm	2DPN	1DPN + 1ID	1DPN + 1PFM	1DPN + 1IDIL	1DPN + 1ST2
D2P	W 36 mm	1D2P	-	-	-	-
DDR	W 36 mm	1DDR	-	1DDR + 1PFM	-	-

Usable width of the intermediate zone: 62 mm.

### CONNECTION - Integrated terminals



Main max. configurations

	≤ 16 mm <sup>2</sup>	≤ 25 mm <sup>2</sup>	≤ 35 mm <sup>2</sup>
2 network cables	5 BD2 terminals max.	5 BC2 terminals max.	4 BB2 terminals max.
3 network cables	5 BD3 terminals max.	5 BC3 terminals max.	4 BB3 terminals max.

Usable width of the connection zone: 60 mm.



### PROTECTIONS & DEVICES - Max. volume available (mm): W 63 x D 65/78 x H 86

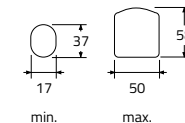


Max. recommended combinations

		∅	ID W 36 mm	PFM W 18 mm	IDIL W 28 mm	ST2 W 28 mm
FP or FN	W 18 mm	1FP + 1FN	-	1FP+1FN+1PFM	-	-
FPN	W 18 mm	3FPN	1FPN + 1ID	1FPN + 1PFM	1FPN + 1IDIL	1FPN + 1ST2
F2P	W 36 mm	1F2P	-	-	-	-
DPN	W 18 mm	2DPN	1DPN + 1ID	1DPN + 1PFM	1DPN + 1IDIL	1DPN + 1ST2
D2P	W 36 mm	1D2P	-	-	-	-
DDR	W 36 mm	1DDR	-	1DDR + 1PFM	-	-

Usable width of the protection zone: 63 mm.

### NETWORK CABLES



Main max. configurations

	4x 16 mm <sup>2</sup>	5G 16 mm <sup>2</sup>	4x 25 mm <sup>2</sup>	5G 25 mm <sup>2</sup>	4x 35 mm <sup>2</sup>	5G 35 mm <sup>2</sup>
2 cables	●	●	●	●	●	-
3 cables	●	●	●	●*	●*	-

\* Limit configurations: tight wiring.