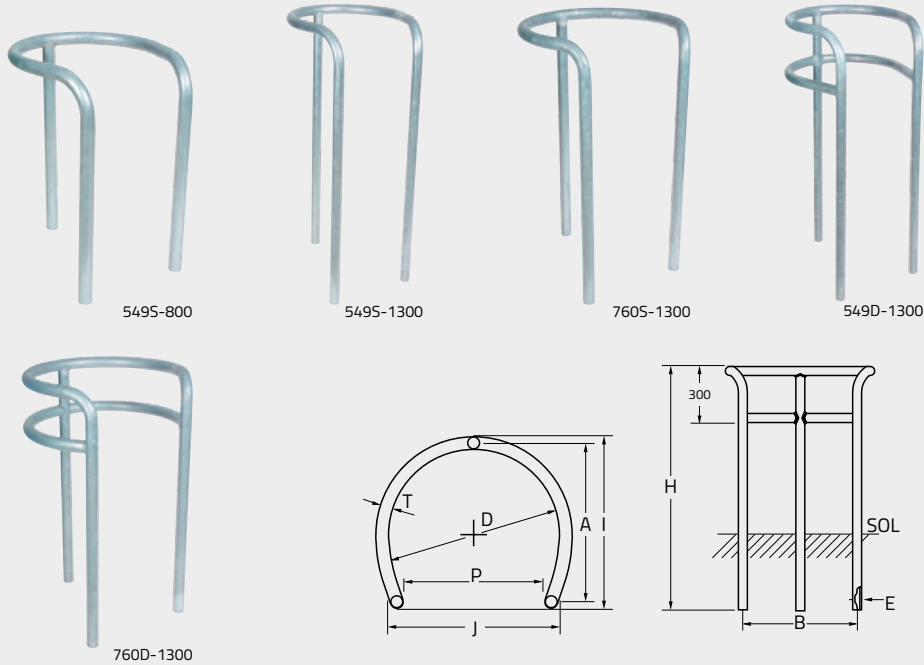




ACCESSORIES



Propak



Specifically developed for lamppost protection, with a closed arch and access door passageway.

Special versions available for protected spaces and junction boxes.

Thick steel for exceptional robustness.

Single or double arch.

Excellent resistance to deformation and oxidation.

Polyester paint on request.

ADVANTAGES

Specific protective arches for lampposts, protected spaces or junction boxes.

Made from galvanised steel and highly robust.

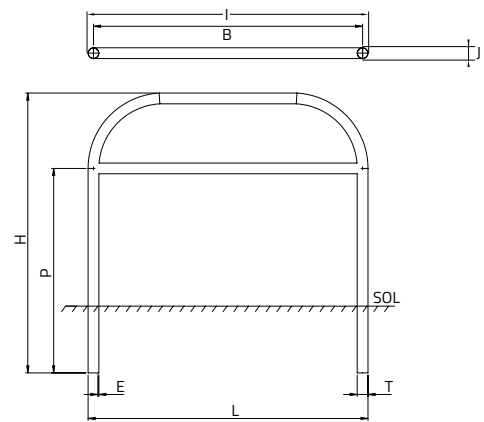
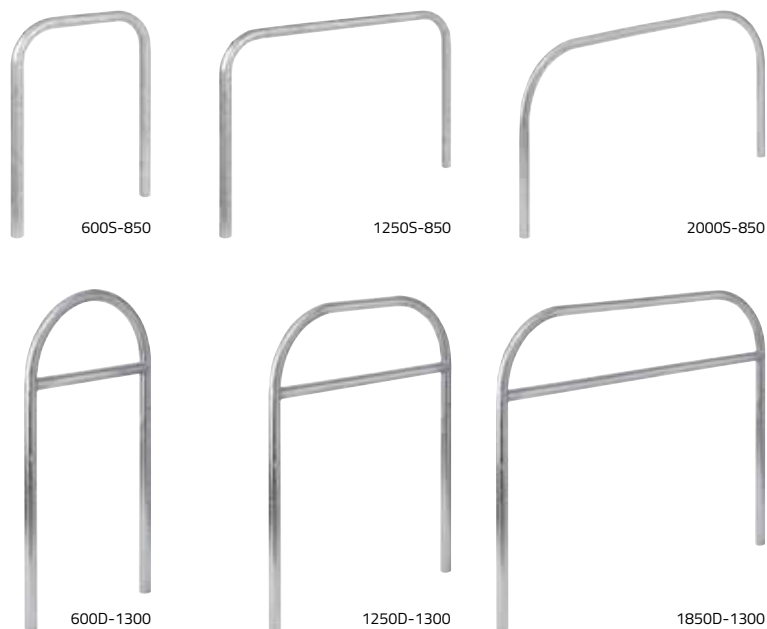
TECHNICAL CHARACTERISTICS

- Up to 3 mm thick.
- Hot-galvanised steel tube (inside and outside).
- Galvanizing after bending, welding and drilling.
- 2 diameters: 500 mm and 700 mm.
- 2 versions: single or double arch.
- 2 heights: 800 mm and 1300 mm.
- Special dimensions and applications: please contact us.
- Optional: RAL paint requested by the customer.

	Propak	D	E	H	P	T	A	B	Max. footprint on the ground (l x J)	Weight (kg)
Single arch	549S-800	500	2	800	360	Ø 50	650	410	750 x 510	8
	549S-1300	500	3	1,300	360	Ø 50	580	410	680 x 510	16
	760S-1300	700	3	1,300	500	Ø 60	810	560	910 x 660	24
Double arch	549D-1300	500	3	1,300	360	Ø 50	580	410	680 x 510	20
	760D-1300	700	3	1,300	500	Ø 60	810	560	910 x 660	31

Dimensions (mm)

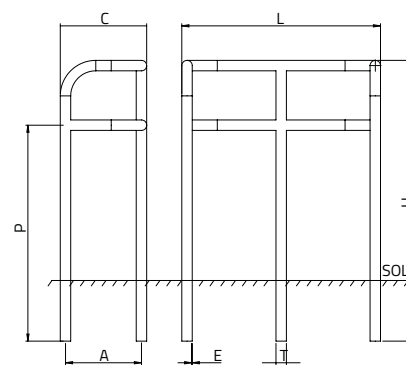
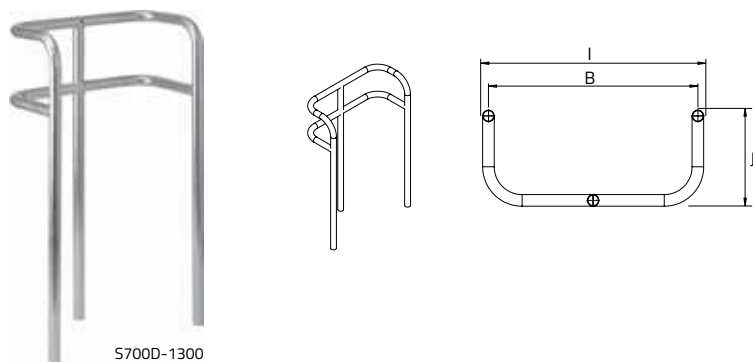
Propak Plans



	Propak Plans	L	H	B	E	T	P	Max. footprint on the ground (l x j)	Weight (kg)
Single arch	6005-850	663	855	613	2	Ø 50	/	713 x 100	5
	12505-850	1,300	855	1,250	2	Ø 50	/	1,350 x 100	6
	20005-850	2,023	855	1,973	2	Ø 50	/	2,073 x 100	8
Double arch	600D-1300	663	1,300	613	2	Ø 50	950	713 x 100	8
	1250D-1300	1,300	1,300	1,250	2	Ø 50	950	1,350 x 100	12
	1850D-1300	1,900	1,300	1,850	2	Ø 50	950	1,950 x 100	15

Dimensions (mm)

Propak Junction Boxes



	Propak Junction Boxes	L	C	H	A	B	E	T	P	Max. footprint on the ground (l x j)	Weight (kg)
Double arch	S700D-1300	920	400	1,300	352	872	2.5	Ø 48	1,000	972 x 452	18

Dimensions (mm)