



JUNCTION BOXES

Lotipak



IP44-IK08

Class 2

Patented components



Lamppost base junction box for posts with very small cross-sections.

Lotipak can connect up to 2 x 10mm² network cables and 1 lighting fixture cable.

Open sides and stiffened back to facilitate connection.

Cover features an integral protective cone to allow power cables to be inserted through the front.

Lamp output via the bottom, with cable guidance housing through the back of the box.

Cover with gripping notches secured by 2 captive stainless steel screws.

Mounted onto bar (fixed mounting lug) or vertical rail using M6 screw.

ADVANTAGES

Very compact.

Extractable terminal block, height adjustable, with screw fastening.

TECHNICAL CHARACTERISTICS

Max. capacity

- Up to 2 x 5G10mm² network cables (max. Ø 18mm).
- Up to 1 x 3G2.5mm² lighting fixture cable (max. Ø 12.5mm).

Casing

- Polycarbonate, self-extinguishing.
- IP44 in accordance with IEC 60529 (open junction box: IP2X).
- IK08 in accordance with EN 62262.
- Class 2 (can also be supplied with insulated earth terminal).
- -40°C to +130°C.

Product standards

- EN 61439-2.

Installation standards

- NF C17-200 and associated guides.

Standard colour

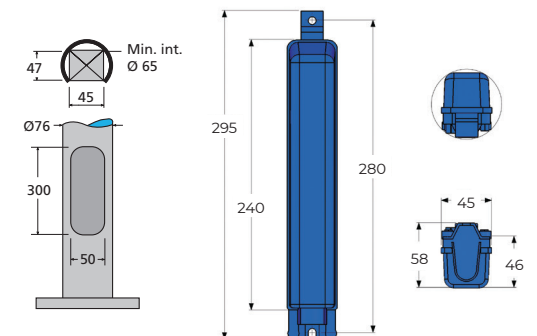
- Please contact us for other colours.

Optional

- Additional 5-point mounting lug.

Delivery

- Pre-wired with high-temperature silicone-coated wires and crimped lugs.
- Supplied with cartridge fuses and configuration labels.



LIGHTING FIXTURE OUTPUT CABLES

Via the bottom of the box only.



Main configurations

| | Standard | Options | |
|----------------|----------|---------|--------------|
| | | TET | Cable glands |
| Via the BOTTOM | 1 cable | - | - |
| Via the TOP | - | - | - |

CONNECTION - Integrated terminal blocks



BE2 terminal block
2 to 4 x 2 inputs, 10mm²
W 37mm

Main max. configurations

| | ≤ 6mm ² | ≤ 10mm ² |
|------------------|-------------------------|-------------------------|
| 2 network cables | 4BE2 terminal block max | 4BE2 terminal block max |
| 3 network cables | - | - |

Usable width of the connection zone: 37mm.



PROTECTIONS & DEVICES - Max. volume available (mm): W 30 x D 41 x H 80



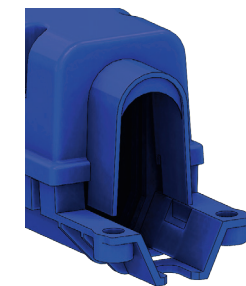
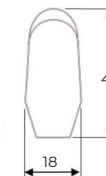
FPN
W 18mm

Max. recommended combinations

| FPN | W 18mm | ∅ | ID | PFM | IDIL | ST2 |
|-----|--------|--------|--------|--------|--------|-----|
| | | W 36mm | W 18mm | W 28mm | W 28mm | |
| | | 1FPN | - | - | - | - |

Usable width of the protection zone: 30mm.

NETWORK CABLES



Main max. configurations

| | 4x 6mm ² | 5G 6mm ² | 4x 10mm ² | 5G 10mm ² | Lighting fixture cables |
|----------|------------------------|------------------------|-------------------------|-------------------------|-------------------------------|
| 2 cables | ● | ●* | ● | - | 1 |
| 2 cables | - | - | - | - | 2 |

* Limit configurations: tight wiring.