



JUNCTION BOXES

Aquapak

1P67/68-IK10

Class 2



AQ57

AQ96

Available in 2 versions (different depths).

The elongated and highly resistant waterproof junction box.

Aquapak is particularly suitable for lamppost bases in flooding areas. It can also be wall-mounted, built into recesses or buried.

Multiple configurations possible with 2 different depth versions, AQ 57 and AQ 96. For other sizes and shapes: please contact us.

Secure locking: 2 lugs with wire holes for lead sealing of the cover.

Mounting:

- In lamppost base: by mounting lug for bar or rail.
- Secured by 4 fixing sinks (\varnothing 4 mm).
- Built-in (optional bezel).

ADVANTAGES

Waterproof and highly impact resistant.

Quality design and production for maintaining sealing over time.

Option: covers with windows for viewing and accessing components.

TECHNICAL CHARACTERISTICS

Casing

- Polycarbonate, reinforced with fibreglass, self-extinguishing.
- IP67/IP68 under 1 m of water according to IEC 60529.
- IK10 in accordance with EN62262.
- Class 2 (can also be supplied with insulated earth terminal).
- -40°C to $+130^{\circ}\text{C}$.

Product standards

- EN 60439-1.
- EN 60439-3.

Installation standards

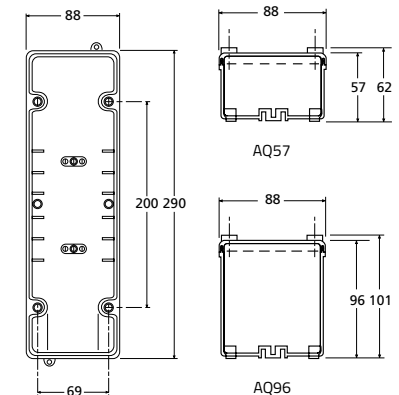
- NF C17-200 and associated guides.

Standard colour:

- Please contact us for other colours.

Mounting - possible options:

- Frame.
- Fastening hook.
- Spanner.
- AC249 strap bracket for AQ57/AQ96.



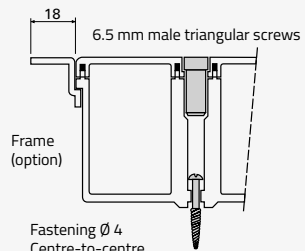
QUALITY DESIGN AND PRODUCTION

Sealing maintained over time thanks to:

- Seal protected by four anti-sectioning studs.
- Cover with reinforcements and mechanical support guides to withstand expansion.
- Triangular screws for mounting on public roads (tightening by torque spanner).

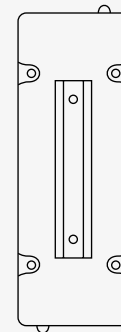


Aquapak torque spanner.
Note: max. tightening torque of the screws = 0.7 Nm / 0.9 Nm.

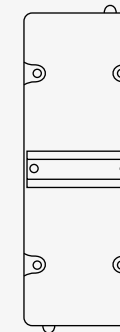


MULTIPLE CONFIGURATIONS POSSIBLE

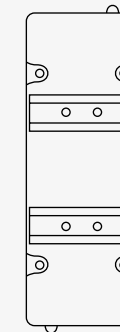
- Grommets on all 4 sides.
- Low encroachment of flat cover on the sides.
- Option: covers with windows for viewing and accessing components.
- Secure locking: 2 lugs with wire holes for lead sealing of the cover.
- Internal fastening methods available:



1 longitudinal
DIN rail
AQ57: W 180 x H 44
AQ96: W 180 x H 83



1 DIN
cross rail
AQ57 W 75 x H 44
AQ96 W 75 x H 83



2 DIN
cross rails
AQ57: 2 x (W 75 x H 44)
AQ96: 2 x (W 75 x H 83)



Corners clear of
cover fixing sinks.

Optional mounting frame
for recessed fastening
(without lugs for wire holes).



OTHER WATER RESISTANT JUNCTION BOXES - IP66/67

A comprehensive range of specific water resistant junction boxes, made from Polycarbonates (harsh environments), IP66/67 - IK09/IK08: please contact us.

AQ junction boxes	Material	IP - IK	Dimensions (H x W x D)
AQ1919	PC	IP66/67 - IK09 front/IK08 sides	190x 190x 130 mm
AQ2819	PC	IP66/67 - IK09 front/IK08 sides	280x 190x 130 mm
AQ2828	PC	IP66/67 - IK09 front/IK08 sides	280x 280x 130 mm
AQ3819	PC	IP66/67 - IK09 front/IK08 sides	380x 190x 130 mm





JUNCTION BOXES

AQ57

OUTPUT CABLES - Usable inside height: 44 mm



M 16 M 20 M 25 M 32

PROTECTIONS & DEVICES - Max. volume (mm): W 75 x D 46 x H 90



FP, FN, FPN F2P PFM IDIL-10 ST2
W 18 mm W 36 mm W 18 mm W 28 mm W 28 mm

CONNECTION - Max. volume available (mm): W 75 x D 46 x H 90

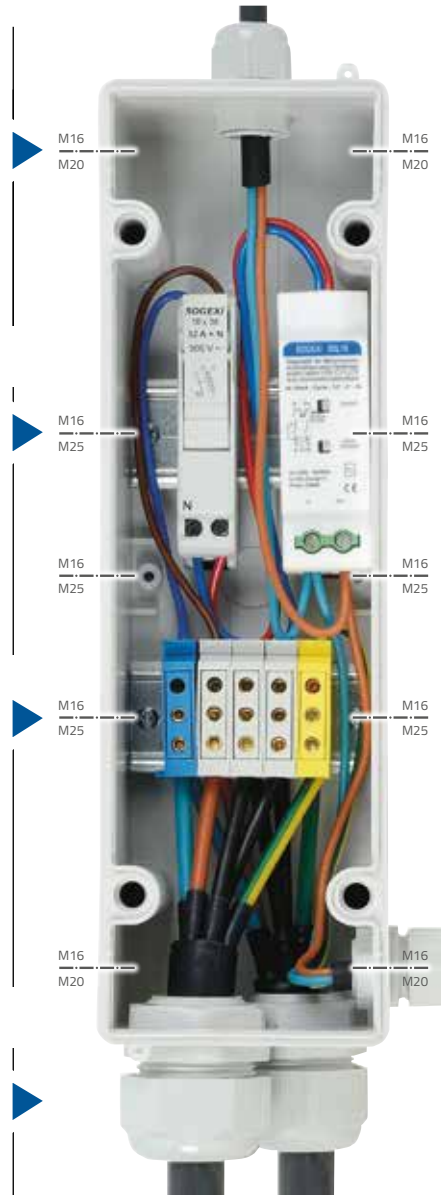


BD2 BD4 BC2
2 x 16 mm² inputs 4 x 16 mm² inputs 2 x 25 mm² inputs
W 10.1 mm W 18.1 mm W 11.7 mm

NETWORK CABLES

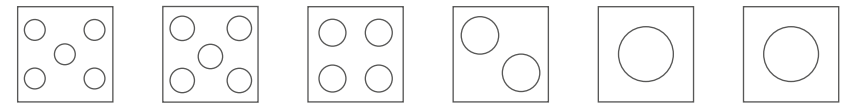


M 16 M 20 M 25 M 32
cables Ø cables Ø cables Ø cables Ø
4.5 to 10 mm 6 to 12 mm 9 to 17 mm 18 to 25 mm



AQ96

OUTPUT CABLES - Usable inside height: 83 mm



M 16 M 20 M 25 M 32 M 40 M 50

PROTECTIONS & DEVICES - Max. volume available (mm): W 75 x D 86 x H 90



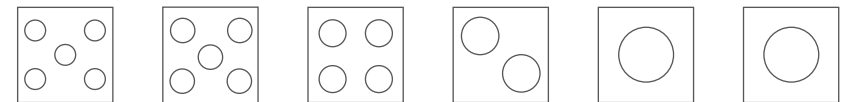
FP, FN, FPN, F2P DPN, D2P ID DDR PFM, PFG IDIL-10 ST2
W 18/36 mm W 18/36 mm W 36 mm W 36 mm W 18 mm W 28 mm W 28 mm

CONNECTION - Max. volume available (mm): W 75 x D 86 x H 90



BD2 BD3 BD4 BC2 BC3 BB2 BB3
2 x 16 mm² inputs 3 x 16 mm² inputs 4 x 16 mm² inputs 2 x 25 mm² inputs 3 x 25 mm² inputs 2 x 35 mm² inputs 3 x 35 mm² inputs
W 10.1 mm W 10.1 mm W 18.1 mm W 11.7 mm W 11.7 mm W 14.3 mm W 14.3 mm

NETWORK CABLES



M 16 M 20 M 25 M 32 M 40 M 50
cables Ø cables Ø cables Ø cables Ø cables Ø cables Ø
4.5 to 10 mm 6 to 12 mm 9 to 17 mm 18 to 25 mm 22 to 32 mm 30 to 38 mm