



JUNCTION BOXES

Trafik (plastic casings)



IP44-IK08

Class 2



Citypak Trafik

Junction boxes for traffic or tramway signalling and security cameras or CCTV.

Open and rigid sides to facilitate wiring.

Main outputs via the bottom in standard version or optional via the top with TET for Dynapak, Polypak and Interpak.

Fastening by mounting lug, tool-free adjustment (Dynapak, Citypak, Polypak, Interpak) or M6 screws.

ADVANTAGES

Lotipak, Dynapak, Polypak: cover secured by 2 captive screws.

Citypak, Interpak: large terminal capacity.

Two separate covers secured by captive ¼-turn screws.

TECHNICAL CHARACTERISTICS

Casing

- Polycarbonate, self-extinguishing.
- IP 44 (open box: IP2X).
- IP 44 in accordance with EN 60529.
- Class 2.
- Tool-free mounting by adjustable lug or M6 screw.
- -40°C to +130°C.

Accepted terminals

- Connection terminals with screwed contacts: D6 (6 mm²), D10 (10 mm²), D16 (16 mm²).
- Spring-loaded terminals, automatic clamping: R2, R4.
- Other products: please contact us.

Max. capacity

Lotipak Trafik:

- Up to 18 D6 connection terminals.

Dynapak Trafik:

- Up to 22 D6 connection terminals.
- Up to 40 R2 terminals.

Citypak Trafik:

- Up to 30 D6 connection terminals.

- Up to 58 R2 terminals.

Polypak Trafik:

- Up to 18 D6 connection terminals.

- Up to 38 R2 terminals.

Interpak Trafik:

- Up to 30 D6 connection terminals.

- Up to 55 R2 terminals.

Standard colour: 



Lotipak Trafik

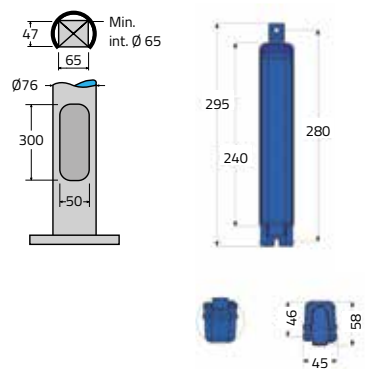
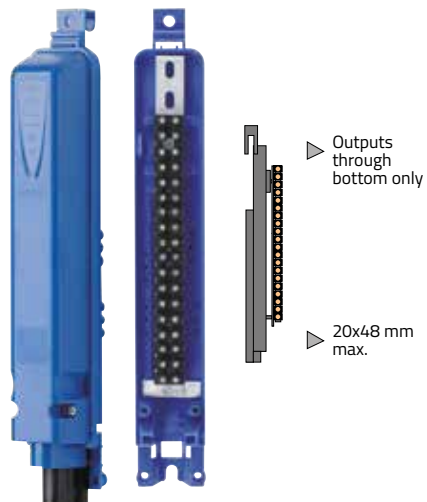
Dynapak Trafik

Polypak Trafik

Interpak Trafik

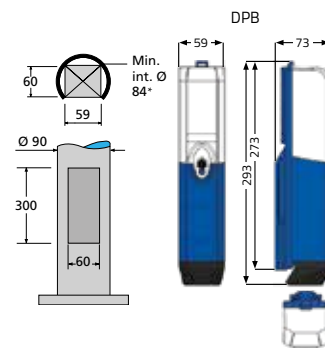
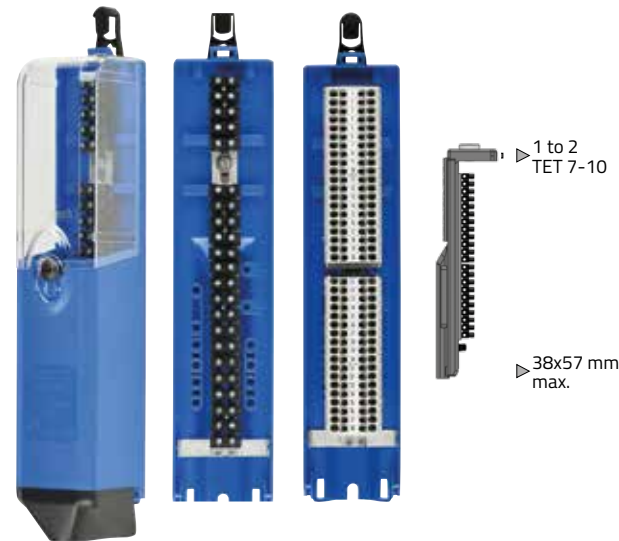
Lotipak Trafik

Up to 18 D6 connection terminals /
16 D10 connection terminals.



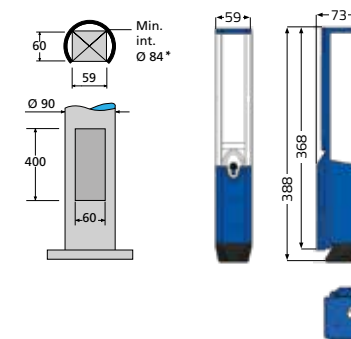
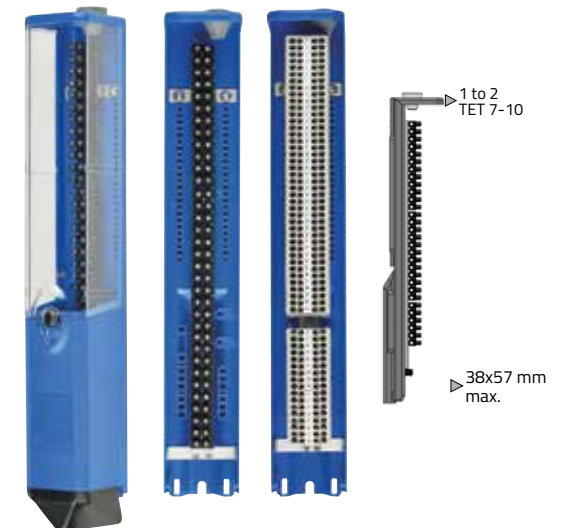
Dynapak Trafik

Up to 22 D6 connection terminals /
18 D10 connection terminals / 40 R2 terminals.



Citypak Trafik

Up to 30 D6 connection terminals /
28 D10 connection terminals / 58 R2 terminals.



* For vertical rail (rail-C): Min. int. \varnothing 89 mm.